

K5 Drinking Water Station



Kinetico K5

Drinking Water Station

Owner's Manual



Congratulations for choosing Kinetico to improve the quality of your water. You will immediately begin to notice the numerous benefits of having quality water in your home and the benefits of having a Kinetico water treatment system.

Since 1970, Kinetico Incorporated has designed and manufactured products to improve the quality of your water. Kinetico offers a complete line of quality water systems to solve your water problems. Pioneers in non-electric, demand operated water treatment, Kinetico continually sets the direction for the entire water quality industry.

Table Of Contents

Using the Kinetico K5 Drinking Water Station	3
How to Use High Quality Drinking Water	3
How Your K5 Drinking Water Station Works.....	4
What Makes Your K5 Drinking Water Station Different is What Makes it Better	7
System Accesssories	8
Maintaining Your K5 Drinking Water Station.....	8
Filter Changes.....	8
Shutting Off the System.....	9
Nitrate/Nitrite Kit	9
Cartridge and Sanitization	9
Replacement Filter Cartridges.....	10
System Specifications	11
Maintenance Record	12
Version Francaise.....	F1
Version Espanõl	E1

KINETICO INCORPORATED

10845 Kinsman Rd.
Newbury, Ohio, 44065
USA
www.kinetico.com

KINETICO CANADA INCORPORATED

21 Parr Blvd., Unit 10
Bolton, ON L7E 4G3
Canada
www.kinetico.com

KINETICO DENMARK

ApS
Sandvadsvej7
4600 Køge
Denmark

KINETICO UK LIMITED

Bridge House
Park Gate Business
Centre
Chandler's Way
Park Gate SO 31 1FQ
England
www.kinetico.co.uk

KINETICO FRANCE

Sarl
B.P. 80528 Osny
95528 Cergy-Pontoise Cedex
France
www.kinetico.fr

KINETICO GERMANY GMBH

Bunzlauerstrasse 12-D
Höher-Grenzhausen
Germany 56203

Using the Kineticco K5 Drinking Water Station



Water is the most important resource liquid in the world. And although the water you use for drinking and cooking constitutes less than one percent of all water used in the home, its quality is probably most important to you.

Experts suggest you drink approximately eight, eight-ounce glasses of water per day. Now that you have a Kineticco K5 Drinking Water Station, you can rest assured you're drinking clean, high quality water. And it will taste great too. With a Kineticco K5 Drinking Water Station, drinking those eight glasses of water will be a pleasure, not a chore.

How To Use High Quality Drinking Water

Since Kineticco K5 Drinking Water Stations significantly reduce heavy metals (such as lead), chemicals, minerals, and unpleasant tastes and odors in your water*, you may want to make some adjustments when using Kineticco Drinking Water for cooking.

* The contaminants listed are not necessarily in your water.

1 Let your taste buds decide how much water to use.

When mixing concentrated juices and drinks or making gelatin, tea or coffee, you may need to adjust the amount of water used. You may find that you can use less coffee or tea and still get the desired taste. Or in the case of concentrated drinks, you can add more water without getting a watered-down taste. Also, it probably won't be necessary for you to descale your automatic coffee maker with vinegar as recommended.

2 Kineticco Drinking Water is ideal for cooking and baking.

Don't forget to use water from your Kineticco K5 Drinking Water Station for cooking pasta, and washing fruits and vegetables. Whenever a recipe calls for water, reach for your special drinking water tap.



3 Use Kinetico Drinking Water in irons and small humidifiers/vaporizers.

For extended operation and easier maintenance, use Kinetico Drinking Water in irons and small humidifiers. You'll no longer have to buy distilled water or suffer the consequences of using common tap water in irons and humidifiers. Since water produced by your system has a reduced mineral content, it's ideal for use in these appliances and it's available right at your kitchen sink.

4 Make ice cubes with Kinetico Drinking Water.

If your refrigerator/freezer is equipped with an ice maker, you may want to consider running a line from your system to the ice maker. If you don't have an ice maker, be sure to fill your ice cube trays with Kinetico Drinking Water. Either way, you'll be able to enjoy better tasting and clearer ice cubes.



5 Houseplants and pets like Kinetico Drinking Water too.

Don't forget about your plants and pets. Just like you, they'll love Kinetico Drinking Water.

How Your K5 Drinking Water Station Works

The Kinetico K5 Drinking Water Station offers exclusive seven-stage protection to ensure you're always getting good, clean water. The K5 Drinking Water Station reduces the heavy metals, chemicals, minerals, and objectionable tastes and odors that may be in your water. We even offer a cartridge that adds valuable minerals to your treated drinking water.

Stage 1 – Prefilter

The first filtration stage prepares the water for the reverse osmosis process. The five-micron filter captures sediment and small particulate matter, and reduces chlorine protecting the reverse osmosis membrane and enhancing its performance.

Replacement Cartridges:

Sediment Prefilter – Part number 9309A

Carbon and Sediment Prefilter – Part number 9461A

Stage 2 – Reverse Osmosis Membrane

After prefiltration, the water travels to the reverse osmosis membrane where the primary cleaning is performed. Here, water is forced through a semipermeable membrane under pressure, and most minerals, chemicals or objectionable matter that might have been in your water are flushed down the drain.

Replacement:

Reverse Osmosis Membrane – Part number 12752A

Stage 3 – Auxiliary Filter #1 and Stage 4 – Auxiliary Filter #2

Stage 3 and 4 allow you the flexibility to meet your needs, by offering you a variety of cartridges.

Purefecta Bacteria/Virus Guard – is certified by the WQA to remove more than 99.99% of viruses and 99.99999% of bacteria. When used in conjunction with an air charge tank and prefilter (*Part Nos. 9309A or 9461A*), the K5 Drinking Water Station equipped with Purefecta Virus/Bacteria Guard is considered a microbiological purifier.

VOC Guard – removes volatile organic compounds. See performance data sheet for a list of contaminants.

Arsenic Guard* – by working with the RO membrane, the Arsenic Guard is able to remove both trivalent arsenic and pentavalent arsenic. See performance data sheet for more information on the two forms of arsenic.

Perchlorate Guard* – removes perchlorate, a by-product from rocket and jet fuel, found in various locations around the world.

Chloramine Guard* – removes chloramine, a chemical used to treat approximately 1/3 of US municipal water sources.

Mineral Plus* – this exciting new innovation adds beneficial minerals, such as magnesium and calcium, to your drinking water. This cartridge will also enhance the taste of your treated water.

* Tested and verified by independent laboratory testing.

Replacement Cartridges:

Purefecta Bacteria/Virus Guard – Part number 12873B

VOC Guard – Part number 12778

Arsenic Guard – Part number 11781A

Perchlorate Guard – Part number 11682

Chloramine Guard – Part number 13766

Mineral Plus – Part number 13041

Note: When using the VOC Guard in the auxiliary #2 position, the Chloramine Guard must be used in the auxiliary #1 position.

Stage 5 – Storage Tank

After the water is processed through the first four stages, it is stored in a tank until needed. Unlike all other storage tanks available, the “water on water” tank with QuickFlo technology uses your home’s water pressure to deliver Kinetico Water from your storage tank to your drinking water faucet. Since the storage tank uses your home’s water pressure rather than a pressurized air charge, you’ll have a steady, consistent flow of water from your tap, even if your storage tank is almost empty.

Stage 6 – Postfilter Polisher

After leaving the storage tank, the water travels to the next stage of protection, the MACguard® Filter. Containing activated carbon, the MACguard Filter gives a final polish to your water, further reducing unpleasant tastes and odors.

Replacement Cartridges:

Taste and Odor Filter – Part number 9306B

Stage 7 – Faucet

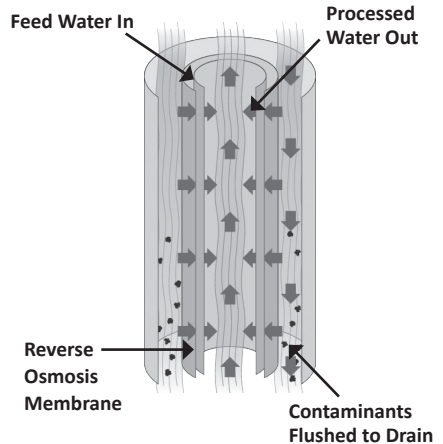
The final protection stage is a custom, decorator, lead-free tap, which is mounted on your sink. With this tap, you can be sure that lead won’t be added into your drinking water.

What Makes Your Drinking Water System Different is What Makes It Better

Like other Kineticico equipment, the Kineticico K5 Drinking Water Station is non-electric and demand operated. With demand operation, Kineticico systems produce high quality drinking water, while they maximize water efficiency and performance.

EverClean® Rinse

After shutdown, the system initiates the EverClean Rinse feature, which is patented and exclusive to Kineticico. The membrane's surface is automatically cleansed with and left to bathe in clean, processed water. The system then depressurizes the membrane. These actions extend the useful life of the membrane, enables it to maintain a high level of performance and prevents inorganic contaminants from migrating into the treated water during shutoff.



MACguard® Filter

One of the system's most unique features is the automatic shutoff of the MACguard Filter. ("MAC" stands for Metered Automatic Cartridge.) After 500 gal (1895 L) of water have been processed through the MACguard Filter, it shuts off (no flow or fine stream) to alert you that the filter is exhausted. The filter cannot be reset, and no more water can be drawn from the system. This signals the need to change the prefilter and postfilter cartridges, but more importantly, it prevents you from using the cartridges beyond their capacity. If overused, cartridges lose their filtration ability.

PureMometer® Filter Life Indicator

Your system is equipped with the PureMometer (rhymes with thermometer) Filter Life Indicator so you can tell how much capacity remains in your filter cartridges. Use the PureMometer to estimate when to purchase replacement prefilter and postfilter cartridges so you won't be surprised when the failsafe MACguard Filter shuts down the system.

System Accessories

Your system may also include the following upgrades, which are available from your local Kinetico dealer.

Decorator Finish, Lead-Free Taps

Choose from highly stylish decorator taps to complement your decor. Available in Classic Chrome (standard), Brilliant Nickel, Satin Nickel/Stainless, Oil Rubbed Bronze, Polished Brass, Light Biscuit, Arctic White and Black Licorice.

Oversized Storage Tank

A larger storage tank supplies more water on demand for larger families. There's no need to do anything special to your system. Simply enjoy your clean, clear Kinetico Water.

Maintaining Your Drinking Water System

The Kinetico K5 Drinking Water Station is engineered to take the guesswork out of quality water. It will tell you when routine maintenance needs to be performed to keep your drinking water system working properly.

Filter Changes

If you open your tap and don't get any water, or only get a small stream, it could mean one of two things: your storage tank is out of water and the drinking water system is making more, or your MACguard Filter has shut off. Check your system's PureMometer to see if the MACguard Filter has shut off. Periodically checking the PureMometer could alert you of upcoming filter shutdown before it happens. If the MACguard Filter has not shut off, wait an hour or two and try to draw water from the faucet again.

How long a MACguard Filter cartridge will last depends on your drinking water usage. It could last anywhere from a few months to a few years. An average family of four with average drinking water use can expect the cartridge to last approximately nine months to one year. Kinetico recommends annual cartridge replacements even if your system has not shut off.

When your MACguard Filter does shut off, we recommend you call your local, authorized Kinetico dealer. They will change your cartridges, completely sanitize your system, check your water and make sure your system is operating properly. If you choose to install your new cartridges yourself, follow the instructions carefully. Never attempt to remove the prefilter or postfilter cartridges without first depressurizing the system. Be sure to completely sanitize your system by following the instructions provided in the "Sanitization Procedure" section of this owner's manual to prevent contamination from human contact.

Shutting Off the System

If you should ever discover a problem with your drinking water system, turn off the water supply to the system. Then call your local, authorized Kineticico dealer for service.

NOTE: The Kineticico K5 Drinking Water Station's operational, maintenance and replacement instructions must be followed to ensure proper system performance. The reverse osmosis system contains a replaceable component critical to the efficiency of the system. Any replacement reverse osmosis component must be identical to the one listed here to assure the same efficiency and contaminant reduction performance. Recommended hardness is zero to 10 gpg for extended product life. Do not use where water is microbiologically unsafe or with water of unknown quality. Systems claiming cyst reduction may be used on disinfected water containing filterable cysts. You may also want to drain the drinking water storage tank upon your return to ensure the freshest water.

Nitrate/Nitrite Kit

If you purchased your system specifically for nitrate reduction, Kineticico recommends periodic (quarterly) testing with a nitrate/nitrite test kit (Part No. 7329) to assure that nitrate/nitrites are being reduced to acceptable levels.

Cartridge Changes and Sanitization

If you choose to change the cartridges on your Kineticico K5 Drinking Water Station yourself, you must use a sanitization kit available from your Kineticico dealer. Follow the instructions to fully sanitize your system. Wash your hands thoroughly and do not touch any internal portions of the system. Or call your local, authorized Kineticico dealer who can change the necessary filters, disinfect your system and analyze your water to be sure it is of the best quality.

NOTE: Although great care is taken to provide a sanitized drinking water unit, possible contamination can result from vendor products, assembly, packaging, shipping or extended storage time. Proper sanitization is required.

IMPORTANT: Do not drink water from system during sanitization.

WARNING: To avoid possible injury and property damage, this system must be properly depressurized before attempting to remove any cartridge or other component.

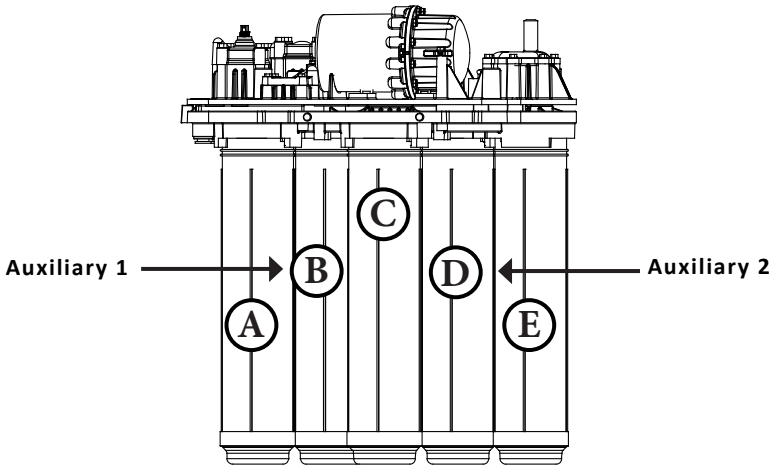
WARNING: After completing the sanitization procedure, the tank must be filled and drained twice before water can be consumed.

WARNING: Safety glasses and rubber/latex gloves must be worn during sanitization.

Replacement Filter Cartridges

To ensure optimum performance, continued warranty coverage and that your system continues to comply with NSF/ANSI standards, you must replace the prefilter and postfilter cartridges annually or upon system shutoff, whichever occurs first. Use the following chart to determine which filters are appropriate for your system.

Location	Cartridge Part Number
Prefilter (A)	Sediment Prefilter (<i>non-chlorinated feed</i>)- Part number 9309A Carbon/Sediment Prefilter (<i>chlorinated feed</i>)- Part number 9461A
Auxiliary #1 (B)	Purefecta Bacteria/Virus Guard -Part number 12873B VOC Guard - Part number 12778 Arsenic Guard - Part number 11781A Perchlorate Guard - Part number 11682 Chloramine Guard - Part number 13766 Mineral Plus - Part number 13041
RO Membrane (C)	Part number 12752A
Auxiliary #2 (D)	Purefecta Bacteria/Virus Guard -Part number 12873B VOC Guard - Part number 12778 Arsenic Guard - Part number 11781A Perchlorate Guard - Part number 11682 Chloramine Guard - Part number 13766 Mineral Plus - Part number 13041
MACguard Postfilter (E)	Taste and Odor Postfilter - 9306B



System Specifications

TDS maximum level	<3000 ppm*
pH Range:	3-11
Pressure Ranges:	35-120 psi (2.41-8.27 bar), 40 psi (2.76 bar) minimum for nitrate reduction
Temperature Range	35°-100°F (2°-38°C)
Water Supply	0-10 grains per gallon hardness, 0 - 0.1 iron
Rated Filter Capacity (Auxiliary and Postfilter)	500 gallons (1895 L)
Maximum Daily Production Rate	75 gpd (283 Lpd)
Membrane Discharge Water/Product Water Ratio:	1 to 1
Discharge Water/Product: Water Ratio:	3 to 1
Typical Product Water Production Rate:	51.0 gpd (193 Lpd)
Efficiency Rating	20.7%
Recovery Rating	38.8%

*Note: TDS levels above 1,500mg/L must have greater than 50 psi.



Tested and certified by WQA against NSF/ANSI Standards 42, 53 and 58 for the reduction of claims specified on the Performance Data Sheet. Conforms to CSA Standard B483.1 – Drinking Water Treatment Systems (refer to the Performance Data Sheet for individual contaminants and reduction performance).

Do not use with water that is microbiologically unsafe or of unknown quality without adequate disinfection before or after the system. Systems certified for cyst reduction may be used on disinfected water that may contain filterable cysts.

The Kineticco K5 Drinking Water Station is acceptable for treatment of influent concentrations of no more than 27 mg/L nitrate and 3 mg/L nitrite in combination measured as N and are certified for nitrate/nitrite reduction only for water supplies with a pressure of 280 kPa (40 psi) or greater.

WQA certified our product performance, and reviewed our manufacturing facility and procedures to assure product consistency and integrity. They also assure that our literature accurately reflects our product capabilities. The system and installation must comply with state/provincial and local laws and regulations.

* The K5 system with Purefecta Virus/Bacteria Guard cartridge is Tested and Certified by WQA against NSF P231-Microbiological Water Purifiers based on recommendations set forth in the USEPA Guide Standard and Protocol for Microbiological Water Purifiers (OPP Task Force Report, 1987). The K5 with the Purefecta cartridge is not intended to convert wastewater or raw sewage into drinking water.

Conforms to NSF/ANSI 58 for pentavalent arsenic reduction. See performance data sheet and Arsenic facts sheet section for an explanation of reduction performance. The following cartridges are not NSF or WQA Certified: Arsenic Guard, Perchlorate Guard, Chloramine Guard, and Mineral Plus.

This system has been tested for the treatment of water containing pentavalent arsenic (also known as As(V), As(+5), or arsenate) at concentrations of 0.30 mg/L or less. This system reduces pentavalent arsenic, but may not remove other forms of arsenic. This system is to be used on water supplies containing a detectable free chlorine residual or on water supplies that have been demonstrated to contain only pentavalent arsenic. Treatment with chloramine (combined chlorine) is not sufficient to ensure complete conversion of trivalent arsenic to pentavalent arsenic. Please see the Arsenic Facts section of the Performance Data Sheet for further information.

U.S. Patent number 8,741,148 B2

Kinetico K5

Système de purification d'eau potable

Guide d'utilisation



Félicitations pour avoir choisi Kinetico afin d'améliorer la qualité de votre eau. Vous constaterez immédiatement les nombreux avantages qu'il y a à disposer d'une eau de qualité à domicile et d'un système de traitement de l'eau Kinetico.

Depuis 1970, Kinetico Incorporated conçoit et fabrique des produits visant à améliorer la qualité de votre eau. Kinetico offre une gamme complète de systèmes de purification d'eau de qualité afin d'apporter des solutions aux problèmes de traitement de l'eau. Kinetico est un pionnier dans la fabrication de systèmes de traitement de l'eau non électriques fonctionnant sur demande. Nous faisons aujourd'hui figure de référence pour l'ensemble du secteur de l'amélioration de la qualité de l'eau.

© 2014 Kinetico Incorporated, « Kinetico », le logo Kinetico, « QuickFlo Drinking Water, Storage Tank » et son logo, « MACguard », « EverClean » et « PureMometer » sont des marques déposées de Kinetico Incorporated, Newbury, Ohio

Table des matières

Utilisation du système de purification d'eau potable K5 de Kinetico	F3
Comment utiliser une eau potable de haute qualité	F3
Fonctionnement de votre système de purification d'eau potable K5.....	F4
Spécificités et atouts de votre système de purification d'eau potable K5	F7
Accessoires du système	F8
Entretien de votre système de purification d'eau potable K5	F8
Remplacements de filtre	F8
Arrêt du système	F9
Nécessaire pour nitrates/nitrites	F9
Remplacement de la cartouche et stérilisation	F9
Remplacement des cartouches filtrantes.....	F10
Spécifications du système	F11
Historique d'entretien	F12

KINETICO INCORPORATED

10845 Kinsman Rd.
Newbury, Ohio, 44065
États-Unis
www.kinetico.com

KINETICO CANADA INCORPORATED

21 Parr Blvd., Unit 10
Bolton, ON L7E 4G3
Canada
www.kinetico.com

KINETICO DENMARK

ApS
Sandvadsvej7
4600 Køge
Danemark

KINETICO UK LIMITED

Bridge House
Park Gate Business
Centre
Chandler's Way
Park Gate SO 31 1FQ
Angleterre
www.kinetico.co.uk

KINETICO FRANCE

Sarl
B.P. 80528 Osny
95528 Cergy-Pontoise Cedex
France
www.kinetico.fr

KINETICO GERMANY GMBH

Bunzlauerstrasse 12-D
Höher-Grenzhausen
Allemagne 56203

Utilisation du système de purification d'eau potable K5 de Kineticco



L'eau est la plus importante ressource liquide du monde. Bien que la quantité d'eau utilisée pour la consommation et la cuisson représente moins d'un pour cent de l'eau utilisée dans un ménage, sa qualité est sans doute extrêmement importante à vos yeux.

Les experts recommandent de boire environ huit verres de 240 ml d'eau par jour. À présent que vous disposez d'un système de purification d'eau potable K5 de Kineticco, vous pouvez être certain que l'eau que vous consommez est pure et de haute qualité. Et vous verrez que son goût sera aussi amélioré. Avec ce système de purification d'eau potable K5 de Kineticco, boire ces huit verres d'eau deviendra un plaisir et non une corvée.

Comment utiliser une eau potable de haute qualité

Étant donné que les systèmes de purification d'eau potable K5 de Kineticco réduisent considérablement la quantité de métaux lourds (comme le plomb), de produits chimiques, de minéraux présents dans votre eau*, ainsi que les saveurs et odeurs désagréables, certains réglages peuvent s'avérer nécessaires pour la préparation des aliments.

* Votre eau ne contient pas nécessairement les contaminants cités.

Laissez vos papilles décider quelle quantité d'eau utiliser.

1 Lorsque vous ajoutez de l'eau à des jus de fruits et boissons concentrés ou lorsque vous faites de la gélatine, du thé ou du café, il se peut que vous deviez ajuster la quantité d'eau à utiliser. Vous pourrez constater qu'une quantité réduite de café ou de thé peut procurer la même saveur. Ou pour les boissons concentrées, vous pourrez ajouter plus d'eau sans pour autant diluer le goût. En outre, vous ne serez probablement pas obligé de détartre votre cafetière avec du vinaigre tel que recommandé.

Le système de purification d'eau potable Kineticco est idéal pour la cuisine.

2 N'oubliez pas d'utiliser l'eau de votre système de purification d'eau potable K5 de Kineticco pour cuire vos pâtes et laver vos fruits et légumes. Lorsqu'une recette requiert de l'eau, utilisez votre système spécial de purification d'eau potable.



Utilisez de l'eau potable Kinetico dans votre fer à repasser et dans vos petits humidificateurs/vaporisateurs.

Pour prolonger la durée de vie et faciliter l'entretien de vos appareils, utilisez de l'eau potable de Kinetico dans votre fer à repasser et dans vos petits humidificateurs. Vous n'aurez plus besoin d'acheter de l'eau distillée et vous ne souffrirez plus des inconvénients liés à l'utilisation d'eau de robinet ordinaire dans votre fer à repasser et vos humidificateurs. Comme l'eau produite par votre système a une teneur réduite en minéraux, elle est idéale pour vos appareils ménagers et vous en avez toujours au robinet.

Faites des glaçons avec le système de purification d'eau potable Kinetico.

Si votre réfrigérateur ou congélateur est équipé d'une machine à glaçons, nous vous conseillons de la connecter à votre système. Si vous n'avez pas de machine à glaçons, remplissez vos bacs à glaçons avec de l'eau potable Kinetico. Quelle que soit l'option choisie, vos glaçons auront meilleur goût et seront plus transparents.



Les plantes d'appartement et les animaux domestiques adorent aussi l'eau potable Kinetico.

Pensez à vos plantes et à vos animaux domestiques. Comme vous, ils adorent aussi l'eau potable Kinetico.

Fonctionnement de votre système de purification d'eau potable

Le système de purification d'eau potable K5 de Kinetico offre une protection en sept étapes exclusive pour vous garantir une eau potable de bonne qualité et toujours propre. Le système de purification d'eau potable K5 débarrasse votre eau d'éventuels métaux lourds, produits chimiques, minéraux, saveurs et odeurs désagréables. Nous vous fournissons également une cartouche qui enrichit votre eau potable purifiée en précieux minéraux.

Étape 1 – Le préfiltre

La première étape de la filtration prépare l'eau pour le processus d'osmose inverse. Le filtre de cinq microns recueille les sédiments et les petites particules et réduit la teneur en chlore, protégeant ainsi la membrane à osmose inverse tout en améliorant sa performance.

Cartouches de rechange:

Préfiltre à sédiments – réf. n° 9309A;

Préfiltre à charbon et à sédiments – réf. n°9461A

Étape 2 – La membrane à osmose inverse

Après la pré-filtration, l'eau se déplace vers la membrane à osmose inverse où s'effectue le premier nettoyage. L'eau traverse avec force une membrane semi-perméable sous pression et la plupart des minéraux, produits chimiques et matières indésirables contenus dans votre eau sont éliminés.

Remplacement:

Membrane à osmose inverse – réf. n° 12752A

Étape 3 – Le filtre auxiliaire n° 1 y Étape 4 – Le filtre auxiliaire n° 2

Durant les étapes 3 et 4, vous pouvez combler vos besoins sans contraintes grâce à la diversité des cartouches offertes.

Purefecta Bacteria/Virus Guard – est certifié par le WQA pour éliminer plus de 99,99 % des virus et 99,99999 % des bactéries présents dans l'eau. La station d'eau potable K5 équipée avec Purefecta Virus/Bacteria Guard est considérée un purificateur microbiologique lorsqu'elle est utilisée avec un réservoir de chargement d'air et un pré-filtre (No de pièces 9309A ou 9461A).

VOC Guard – élimine les composés organiques volatils. Pour obtenir une liste des contaminants, voir la fiche technique de performance.

Arsenic Guard* – en combinaison avec la membrane à osmose inverse, l'Arsenic Guard peut éliminer l'arsenic trivalent et pentavalent. Pour plus de renseignements sur ces deux types d'arsenic, voir la fiche technique de performance.

Perchlorate Guard* – élimine le perchlorate, produit dérivé des carburants de fusée et d'avion, que l'on trouve un peu partout dans le monde.

Chloramine Guard* – élimine la chloramine, produit chimique utilisé pour traiter environ 1/3 des sources d'eau municipale des États-Unis.

Mineral Plus* – cette formidable innovation enrichit votre eau potable en minéraux bons pour votre santé, tels que le magnésium et le calcium. Cette cartouche améliore également la saveur de votre eau purifiée.

* Testé et vérifié dans un laboratoire de mise à l'essai indépendant.

Cartouches de rechange:

Purefecta Bacteria/Virus Guard – réf. n° 12873B

VOC Guard – réf. n° 12778

Arsenic Guard – réf. n° 11781A

Perchlorate Guard – réf. n° 11682

Chloramine Guard – réf. n° 13766

Mineral Plus – réf. n° 13041

Remarque : Lors de l'utilisation du VOC Guard en position auxiliaire no 2, le Chloramine Guard doit être utilisé en position auxiliaire no 1.

Étape 5 – Le réservoir de stockage

Après la purification de l'eau aux quatre premières étapes, elle est stockée dans un réservoir avant d'être utilisée. Contrairement à tous les autres réservoirs de stockage disponibles, le réservoir « eau sur eau » doté de la technologie QuickFlo utilise la pression de votre eau du robinet pour acheminer l'eau potable Kinetico de votre réservoir de stockage à votre robinet d'eau potable. Puisque le réservoir de stockage utilise la pression de votre eau du robinet plutôt qu'une admission d'air sous pression, le débit au niveau de votre robinet est constant et régulier, même si le réservoir de stockage est presque vide.

Étape 6 – L'épurateur de post-filtre

Lorsque l'eau quitte le réservoir de stockage, elle passe à l'étape de protection suivante, le filtre MACguardMD. Le filtre MACguard qui contient du charbon actif apporte une touche finale à votre eau, en atténuant encore toute saveur et odeur désagréable.

Cartouches de rechange:

Filtre d'atténuation de saveur et d'odeur désagréable – réf. n° 9306B

Étape 7 – Le robinet

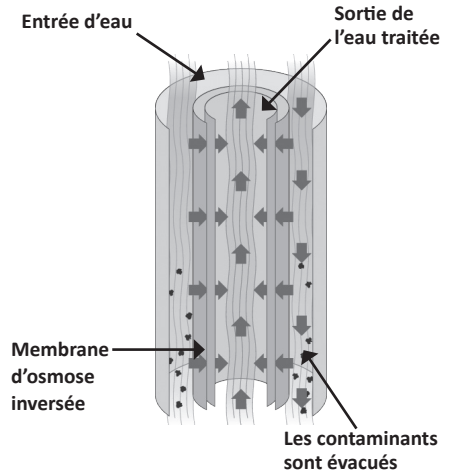
La dernière étape de protection est un robinet anti-plomb personnalisé décoratif monté sur votre évier. Avec ce robinet, vous avez la certitude d'obtenir une eau potable sans plomb.

Spécificités et atouts de votre système de purification d'eau potable

Comme tout autre appareil Kinetico, le système de purification d'eau potable K5 de Kinetico est un appareil non électrique utilisable sur demande. Grâce à leur utilisation sur demande, les systèmes Kinetico produisent une eau potable de haute qualité tout en renforçant son efficacité et sa performance.

Dispositif de rinçage EverClean^{MD}

À l'arrêt, le système lance la fonction de rinçage EverClean, brevetée et propriété exclusive de Kinetico. La surface de la membrane est automatiquement nettoyée et immergée dans de l'eau propre purifiée. Le système dépressurise ensuite la membrane. Ces actions prolongent la durée de vie de la membrane, lui permettent de maintenir un haut niveau de performance et empêchent les contaminants inorganiques de pénétrer dans l'eau lorsque le système est à l'arrêt.



Le filtre MACguard^{MD}

L'arrêt automatique du filtre MACguard constitue l'une des fonctions les plus exceptionnelles du système. (« MAC » signifie Metered Automatic Cartridge (cartouche automatique de dosage).) Après la purification de 1 895 litres d'eau dans le filtre MACguard, il s'arrête (pas d'écoulement) pour vous signaler que le filtre est vide. Le filtre ne peut être réinitialisé et il n'est plus possible de tirer de l'eau du système. Cela indique la nécessité de remplacer les cartouches du préfiltre et du post-filtre et vous empêche surtout d'utiliser les cartouches au-delà de leur capacité. Si elles sont trop utilisées, les cartouches perdent leur capacité de filtration.

L'indicateur de durée de vie de filtre PureMometer^{MD}

Votre système est équipé de l'indicateur de durée de vie de filtre PureMometer (rime avec « thermometer ») qui vous permet de déterminer la capacité restante des cartouches de filtre. Utilisez l'indicateur PureMometer pour déterminer à quelle période vous devez acheter des cartouches de rechange du préfiltre et du post-filtre afin d'éviter que le filtre MACguard à sécurité intégrée n'arrête le système à l'improviste.

Accessoires du système

Votre système peut également comprendre les mises à niveau suivantes, disponibles auprès de votre distributeur local Kinetico.

Robinets sans plomb décoratifs

Choisissez parmi notre gamme élégante de robinets celui qui ira le mieux avec votre intérieur. Disponibles en chrome classique (standard), nickel brillant, nickel satiné/inoxydable, Bronze huilé, laiton poli, biscuit clair, blanc arctique et réglisse noire.

Réservoir de stockage surdimensionné

Un réservoir de stockage plus grand fournit plus d'eau sur demande pour les familles nombreuses. Pas besoin de modifier votre système. Vous n'avez plus qu'à savourer votre eau Kinetico pure et claire.

Entretien de votre système de purification d'eau potable

Le système de purification d'eau potable K5 de Kinetico est conçu pour vous garantir une eau de qualité. Il vous indique la période à laquelle vous devez effectuer l'entretien périodique du système afin de maintenir son bon fonctionnement.

Remplacements de filtre

Si vous ouvrez votre robinet et qu'il n'y a pas d'eau ou que le débit est faible, cela indique soit : que votre réservoir de stockage est vide et que le système de purification d'eau potable est en train d'en produire, soit que votre filtre MACguard est désactivé. Vérifiez l'indicateur PureMometer de votre système afin de déterminer si le filtre MACguard est désactivé. Une vérification périodique de l'indicateur PureMometer peut vous prévenir d'un arrêt imminent du filtre. Si le filtre MACguard n'est pas désactivé, patientez pendant une heure ou deux puis essayez d'obtenir de l'eau au robinet.

La durée de vie d'un filtre MACguard dépend de la quantité d'eau potable consommée. Sa durée de vie peut aller de quelques mois à quelques années. Pour une famille moyenne de quatre personnes avec une consommation d'eau potable moyenne, la cartouche peut durer entre neuf mois et un an environ. Kinetico recommande de remplacer la cartouche tous les ans, même si le système ne s'est pas arrêté.

Lorsque votre filtre MACguard se désactive, nous vous recommandons de contacter votre distributeur local agréé Kinetico. Il changera vos cartouches, stérilisera entièrement votre système, vérifiera la qualité de votre eau et veillera au bon fonctionnement de votre système. Si vous décidez d'installer vous-même vos nouvelles cartouches, suivez soigneusement les instructions. N'essayez jamais de retirer les cartouches du préfiltre et du post-filtre sans dépressuriser le système au préalable. Assurez-vous de stériliser entièrement votre système en suivant les instructions fournies dans la section « Procédure de stérilisation » de ce guide d'utilisation afin d'éviter de contaminer l'eau en la touchant.

Arrêt du système

En cas de dysfonctionnement de votre système de purification d'eau potable, fermez la vanne d'arrivée d'eau qui conduit au système. Puis, contactez votre distributeur local agréé Kineticco pour des travaux d'entretien.

REMARQUE: vous devez suivre les instructions relatives à la mise en marche, à l'entretien et au remplacement du système de purification d'eau potable K5 de Kineticco afin de garantir son bon fonctionnement. Le système à osmose inverse comporte un composant remplaçable essentiel pour l'efficacité du système. Tout composant à osmose inverse remplaçable doit être identique à celui cité dans ce guide afin de garantir le même niveau d'efficacité et de réduction des contaminants. La dureté recommandée est de zéro à 10 gpg pour une longue durée de vie du produit. N'utilisez pas le système pour une eau présentant des risques microbiologiques ou une eau de qualité inconnue. Les systèmes nécessitant une réduction de parasites peuvent être utilisés avec une eau désinfectée contenant des parasites filtrables. Vous pouvez également vider le réservoir de stockage d'eau potable à votre retour pour obtenir une eau aussi fraîche que possible.

Nécessaire pour nitrates/nitrites

Si vous avez acheté votre système spécifiquement pour la réduction des nitrates, Kineticco recommande d'effectuer test périodique (trimestriel) à l'aide du nécessaire de test de réduction de nitrates/nitrites (réf. n° 7329) afin de vous assurer que la teneur en nitrates/nitrites de votre eau est réduite à un niveau acceptable.

Remplacement de la cartouche et stérilisation

Si vous décidez de remplacer vous-même les cartouches de votre système de purification d'eau potable K5 de Kineticco, vous devez utiliser un nécessaire de stérilisation disponible auprès de votre distributeur Kineticco. Suivez les instructions afin de stériliser entièrement votre système. Lavez-vous soigneusement les mains et ne touchez aucune partie interne du système. Ou appelez votre distributeur local agréé Kineticco qui peut changer les filtres nécessaires, stériliser votre système et analyser votre eau afin de s'assurer qu'elle est de qualité optimale

REMARQUE : bien que le système de purification d'eau potable soit fabriqué avec le plus grand soin, il peut subir une contamination au contact avec les produits du fournisseur, lors du montage, de l'emballage, de l'expédition ou suite à une longue durée d'entreposage. Une stérilisation appropriée est nécessaire.

IMPORTANT: ne buvez pas l'eau provenant du système pendant le processus de stérilisation.

MISE EN GARDE: afin d'éviter d'éventuelles blessures corporelles et dégâts matériels, ce système doit être correctement dépressurisé avant toute tentative de retrait de la cartouche ou de tout autre composant.

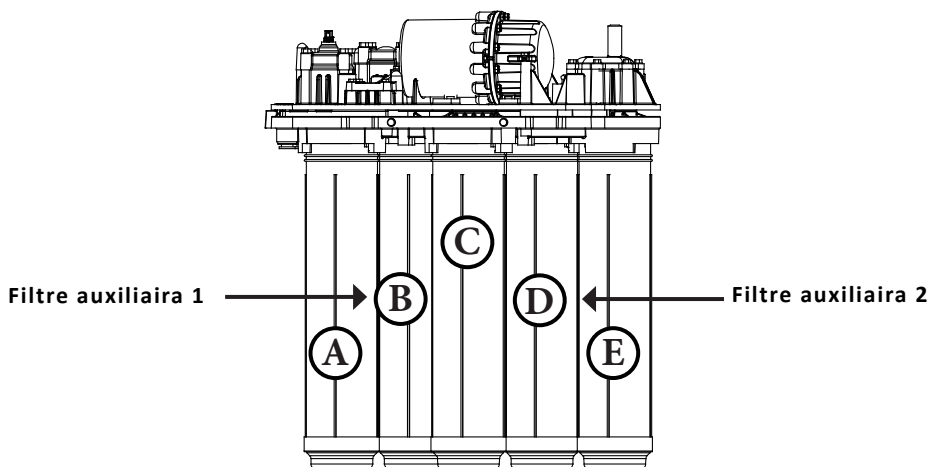
MISE EN GARDE: une fois la stérilisation terminée, le réservoir doit être rempli et vidangé deux fois avant que l'eau ne puisse être consommée before water can be consumed.

MISE EN GARDE: vous devez porter des lunettes de protection et des gants en caoutchouc/latex pendant la procédure de stérilisation.

Remplacement des cartouches filtrantes

Pour garantir des performances optimales, la couverture permanente du système en vertu de la garantie et la conformité du système aux normes de certification NSF/ANSI, vous devez remplacer les cartouches du préfiltre et du post-filtre tous les ans ou à l'arrêt du système, selon la première échéance. Dans le tableau suivant, déterminez les filtres appropriés pour votre système.

Emplacement	Cartridge Part Number
Préfiltre (A)	Préfiltre à sédiments (alimentation non chlorée) - réf. n° 9309A Préfiltre à charbon/sédiments (alimentation chlorée) - réf. n° 9461A
Filtre auxiliaire n° 1 (B)	Purefecta Bacteria/Virus Guard - réf. n° 12873B VOC Guard - réf. n° 12778 Arsenic Guard - réf. n° 11781A Perchlorate Guard - réf. n° 11682 Chloramine Guard - réf. n° 13766 Mineral Plus - réf. n° 13041
Membrane à osmose inverse (C)	réf. n° 12752A
Filtre auxiliaire n° 2 (D)	Purefecta Bacteria/Virus Guard - réf. n° 12873B VOC Guard - réf. n° 12778 Arsenic Guard - réf. n° 11781A Perchlorate Guard - réf. n° 11682 Chloramine Guard - réf. n° 13766 Mineral Plus - réf. n° 13041
Post-filtre MACguard (E)	Post-filtre d'atténuation de saveur et d'odeur désagréable - 9306B



Spécifications du système

Niveau maximal de MDT	<3000 ppm*
Plage du pH	3-11
Plages de pression	2,41 - 8,27 bars (35 - 120 psi), 2,76 bars (40 psi) minimum pour la réduction des nitrates
Plage de température	2 °-38 °C (35 °-100 °F)
Alimentation en eau	0-10 grains de dureté par gallon, 0 – 0,1 fer
Capacité nominale des filtres (filtres auxiliaires et post-filtre)	1 895 l (500 gallons)
Taux de production journalier maximal	283 l/pj (75 gpj)
Eau de décharge de membrane/débit d'eau produite	1 à 1
Eau de décharge/débit d'eau produite	3 à 1
Débit type d'eau produite	193 l/pj (51,0 gpj)
Taux d'efficacité	20,7 %
Taux de récupération	38,8 %

*Remarque: les niveaux de MDT supérieurs à 1 500 mg/l doivent avoir une pression supérieure à 50 psi.



Testé et certifié par WQA comme étant conforme aux normes NSF/ANSI 42, 53 et 58 quant aux performances de réduction des contaminants précisées dans la fiche technique des performances. Conforme à la norme CSA B483.1 – Systèmes de purification d'eau potable (consulter la fiche technique des performances pour connaître les contaminants individuels et les performances de réduction).

Ne pas utiliser ce produit avec de l'eau microbiologiquement dangereuse ou dont la qualité n'est pas assurée par une désinfection adéquate en amont ou en aval du système. Les systèmes certifiés conformes aux normes définies en matière de réduction de parasites peuvent être utilisés avec de l'eau désinfectée susceptible de contenir des parasites filtrables.

Le système de purification d'eau potable K5 de Kineticico est applicable au traitement d'une concentration maximale d'influent combiné de 27 mg/L (nitrates) et 3 mg/L (nitrites) mesuré comme N. En ce qui concerne la réduction de nitrates et de nitrites, sa conformité est certifiée pour des approvisionnements en eau d'une pression égale ou supérieure à 280 kPa (40 psi).

WQA a certifié les performances de nos produits et contrôlé nos installations et procédures de fabrication, afin de garantir la qualité constante et l'intégrité de nos produits. NSF International vérifie également que notre documentation reflète avec exactitude les capacités de nos produits. Le système et son installation doivent respecter les lois et réglementations des États/provinces ainsi que les lois et réglementations locales.

* Le système K5 avec la cartouche Purefecta Virus/Bacteria Guard est testé et certifié par le WQA selon la norme NSF P231 des purificateurs d'eau microbiologiques basés sur les recommandations émises dans le Protocole et norme du guide de l'USEPA pour les purificateurs d'eau microbiologiques (Rapport du groupe de travail OPP, 1987). Le système K5 avec la cartouche Purefecta n'est pas conçu pour convertir l'eau résiduaire ou les eaux usées brutes en de l'eau potable.

Conforme à la norme NSF/ANSI 58 sur la réduction de l'arsenic pentavalent. Consulter la fiche technique des performances et la section de la fiche technique sur l'arsenic pour obtenir une explication des performances de réduction. Les cartouches suivantes ne sont pas certifiées NSF et WQA : Arsenic Guard, Perchlorate Guard, Chloramine Guard et Mineral Plus.

Ce système a été testé relativement au traitement de l'eau contenant de l'arsenic pentavalent (aussi appelé As(V), As(+5) ou arséniate) à des concentrations de 0,30 mg/L ou moins. Ce système réduit la teneur en arsenic pentavalent, mais pourrait ne pas éliminer d'autres formes d'arsenic. Ce système doit être utilisé pour des approvisionnements d'eau contenant des résidus détectables de chlore libre ou pour des approvisionnements d'eau dont il a été démontré qu'ils ne contiennent que de l'arsenic pentavalent. Le traitement à la chloramine (chlore combiné) n'est pas suffisant pour assurer une conversion complète de l'arsenic trivalent en arsenic pentavalent. Pour plus d'informations, consulter la section sur l'arsenic dans la fiche technique des performances.

Numéro de brevets aux É.-U. : 8,741,148 B2

Kinetico K5

Estación de Tratamiento de Agua para Beber

Manual del usuario



¡Felicitaciones por haber elegido a Kinetico para mejorar la calidad del agua! Comenzará a notar de inmediato los numerosos beneficios al tener agua de calidad en su hogar y las ventajas de tener un sistema de tratamiento de agua Kinetico.

Desde 1970, Kinetico Incorporated ha diseñado y fabricado productos para mejorar la calidad del agua. Kinetico ofrece una línea completa de sistemas que mejoran la calidad del agua para resolver sus problemas. Siendo pioneros en el tratamiento de agua a demanda, no eléctrico, Kinetico continuamente ha establecido la norma para toda la industria dedicada a mejorar la calidad del agua.

© 2014 Kinetico Incorporated, "Kinetico," el logotipo de Kinetico, "QuickFlo Drinking Water, Storage Tank" con su logotipo, "MACguard", "EverClean" y "PureMometer" son marcas comerciales, en los Estados Unidos, en otros países, o en todos los países correspondientes, de Kinetico Incorporated, Newbury, Ohio.

Índice

Uso de la estación de tratamiento de agua para beber Kinetico K5.....	E3
Uso del agua para beber de alta calidad	E3
Funcionamiento de la estación de tratamiento de agua para beber K5.....	E4
Las cosas que hacen que la estación de tratamiento de agua para beber K5 sea diferente, son las mismas que hacen que sea mejor.....	E7
Accesorios del sistema	E8
Mantenimiento de la estación de tratamiento de agua para beber K5.....	E8
Cambios de filtro	E8
Apagado del sistema	E9
Equipo para nitrato/nitrito	E9
Cambios de cartuchos y desinfección.....	E9
Cartuchos de filtro de repuesto.....	E10
Especificaciones del sistema	E11
Registro de mantenimiento	E12

KINETICO INCORPORATED

10845 Kinsman Rd.
Newbury, Ohio, 44065
EE.UU.
www.kinetico.com

KINETICO CANADA INCORPORATED

21 Parr Blvd., Unit 10
Bolton, ON L7E 4G3
Canadá
www.kinetico.com

KINETICO DENMARK

ApS
Sandvadsvej7
4600 Køge
Dinamarca

KINETICO UK LIMITED

Bridge House
Park Gate Business
Centre
Chandler's Way
Park Gate SO 31 1FQ
Inglaterra
www.kinetico.co.uk

KINETICO FRANCE

Sarl
B.P. 80528 Osny
95528 Cergy-Pontoise Cedex
Francia
www.kinetico.fr

KINETICO GERMANY GMBH

Bunzlauerstrasse 12-D
Höher-Grenzhausen
Alemania 56203

Uso de la estación de tratamiento de agua para beber Kinético K5



El agua es la fuente de líquido más importante del mundo. Si bien el agua que se utiliza para beber y cocinar constituye menos del uno por ciento de toda el agua utilizada en el hogar, probablemente la calidad de este tipo específico de agua es lo más importante para usted.

Los expertos sugieren que usted bebe cerca de ocho vasos de 240 ml (ocho onzas) de agua al día. Ahora que cuenta con una estación de tratamiento de agua para beber Kinético K5, puede estar tranquilo de que está tomando agua limpia y de alta calidad. Además también tendrá un buen sabor. Con una estación de tratamiento de agua para beber Kinético K5, tomar esos ocho vasos de agua será un verdadero placer, no una obligación.

Uso del agua para beber de alta calidad

Debido a que las estaciones de tratamiento de agua para beber Kinético K5 reducen significativamente la cantidad de metales pesados (por ejemplo, el plomo), las sustancias químicas, minerales, y sabores y olores desagradables en el agua*, tal vez deseará realizar ciertos ajustes al utilizar el agua para beber Kinético para cocinar.

* Los contaminantes de la lista no necesariamente estarán presentes en su agua.

1 Deje que sus papilas gustativas decidan cuánta agua debe usar.

Al mezclar bebidas y jugos concentrados, o al preparar gelatina, té o café, deberá ajustar la cantidad de agua que usa. Tal vez descubra que puede utilizar una menor cantidad de café o té y aun así obtener el sabor deseado. En el caso de las bebidas concentradas, puede añadir más agua sin obtener un sabor más diluido. Probablemente no será necesario que elimine las incrustaciones de su cafetera automática con vinagre, como lo recomienda el fabricante.

2 El agua para beber Kinético es ideal para cocinar y hornear.

No olvide utilizar el agua de la estación de tratamiento de agua para beber Kinético K5 para cocinar pasta, y para lavar las frutas y verduras. Siempre que en una receta se requiera añadir agua, utilice el agua especial para beber.



3 Utilice el agua para beber Kinetico en planchas, así como humidificadores y vaporizadores pequeños.

Para que funcionen durante más tiempo y para facilitar el mantenimiento, utilice el agua para beber Kinetico en planchas y humidificadores pequeños. De esa manera ya no tendrá que comprar agua destilada ni sufrir las consecuencias de utilizar el agua común del grifo en planchas y humidificadores. Debido a que el agua que obtiene de este sistema tiene un contenido mineral reducido, es ideal para usar en estos aparatos electrodomésticos y está disponible directamente en el fregadero de su cocina.

4 Prepare cubos de hielo con el agua para beber Kinetico.

Si su refrigerador o congelador está equipado con una máquina de hielo, es posible que quiera añadir una tubería de agua desde su sistema de tratamiento de agua hasta esta máquina. Si no tiene una máquina de hielo, asegúrese de llenar las bandejas de cubos de hielo con el agua para beber Kinetico. Cualquiera que sea la manera en que prepare cubos de hielo, podrá disfrutar su mejor sabor y cubos más claros.



5 A las plantas interiores y a las mascotas también les gusta el agua para beber Kinetico.

No olvide a sus plantas y sus mascotas; al igual que usted, también adoran el agua para beber Kinetico.

Funcionamiento de la estación de tratamiento de agua para beber

Esta estación ofrece una protección exclusiva de siete etapas para garantizar que siempre reciba agua saludable y limpia. La estación de tratamiento de agua para beber K5 reduce la cantidad de metales pesados, las sustancias químicas, minerales, y sabores y olores desagradables que podrían estar presentes en el agua. Incluso ofrecemos un cartucho que añade minerales valiosos al agua tratada para beber.

Etapa 1 – Prefiltro

La primera etapa de filtración prepara el agua para el proceso de ósmosis inversa. El filtro de cinco micras captura el sedimento y partículas pequeñas de material, y reduce la cantidad de cloro para proteger la membrana de ósmosis inversa y optimizar su rendimiento.

Cartuchos de repuesto:

Prefiltro de sedimento – Parte número 9309A;

Prefiltro de carbón y sedimento – Parte número 9461A

Etapa 2 – Membrana de ósmosis inversa

Después de la prefiltración, el agua fluye hacia la membrana de ósmosis inversa donde se realiza la limpieza principal. En esta membrana, el agua circula a presión a través de una membrana semipermeable y la mayoría de minerales, sustancias químicas o materiales no deseados incluidos en el agua se eliminan a través del drenaje.

Repuesto:

Membrana de ósmosis inversa – Parte número 12752A

Etapa 3 – Filtro auxiliar #1 et Etapa 4 – Filtro auxiliar #2

Las etapas 3 y 4 le ofrecen la flexibilidad de satisfacer sus necesidades particulares al ofrecerle una variedad de cartuchos diferentes.

Protección contra bacterias

y virus Purefecta – Protección contra bacterias y virus Purefecta – certificado por la WQA para eliminar más del 99.99% de los virus y 99.99999% de las bacterias. Al usarla en conjunto con un tanque de carga de aire y un prefiltro (Piezas número: 9309A o 9461A), la estación de agua potable K5 equipada con la protección contra virus y bacterias Purefecta es considerada como un purificador microbiológico.

Protección contra COV – elimina los compuestos orgánicos volátiles. Consulte la lista de contaminantes en la hoja de datos de rendimiento.

Protección contra arsénico* – al trabajar en conjunto con la membrana de ósmosis inversa, esta protección puede eliminar tanto el arsénico trivalente como el arsénico pentavalente. Para obtener más información acerca de estas dos formas de arsénico, consulte la hoja de datos de rendimiento.

Protección contra perclorato* – elimina esta sustancia que es un producto derivado del combustible para cohetes y la turbosina, que se pueden encontrar en varios lugares en todo el mundo.

Protección contra cloramina* – elimina la cloramina, una sustancia química que se utiliza para tratar aproximadamente un tercio 1/3 de los recursos de agua municipal en los EE.UU.

Mineral Plus* – esta extraordinaria innovación añade minerales benéficos al agua para beber, por ejemplo, magnesio y calcio. Este cartucho también mejorará el sabor del agua tratada.

* Sometido a pruebas y verificado por un laboratorio independiente.

Cartuchos de repuesto:

Protección contra bacterias y virus Purefecta – Parte número 12873B

Protección contra COV – Parte número 12778

Protección contra arsénico – Parte número 11781A

Protección contra perclorato – Parte número 11682

Protección contra cloramina – Parte número 13766

Mineral Plus – Parte número 13041

Nota: Si se utiliza la protección contra COV en la posición del filtro auxiliar #2, se debe utilizar la protección contra cloramina en la posición del filtro auxiliar #1.

Etapa 5 – Tanque de almacenamiento

Después de procesar el agua a través de las primeras cuatro etapas, se almacena en un tanque hasta que se necesite. A diferencia de todos los demás tanques de almacenamiento disponibles, el tanque “agua sobre agua” con la tecnología QuickFlo, utiliza la presión del agua del hogar para llevar el agua Kinetico desde el tanque de almacenamiento hasta el grifo de agua para beber. Debido a que el tanque de almacenamiento utiliza la presión del agua del hogar, en lugar de alimentación de aire a presión, usted contará con un flujo uniforme y constante de agua en el grifo, incluso si el tanque de almacenamiento está casi vacío.

Etapa 6 – Postfiltro clarificador

Después de salir del tanque de almacenamiento, el agua fluye hacia la siguiente etapa de protección, el filtro MACguard®. Este filtro que contiene carbón activado brinda una clarificación final al agua, reduciendo aún más los sabores y olores desagradables.

Cartuchos de repuesto:

Filtro de sabor y olor – Parte número 9306B

Etapa 7 – Grifo

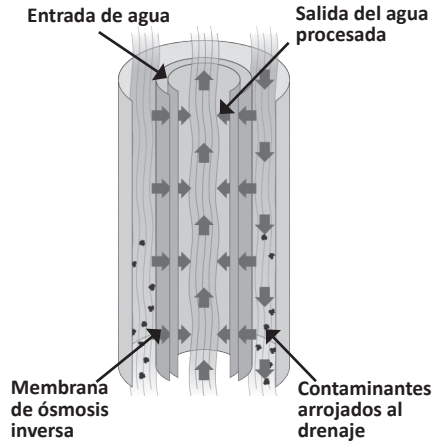
La etapa de protección final es un grifo sin plomo, decorativo y personalizado que se instala en su fregadero. Con este grifo, puede estar seguro que no se añadirá plomo al agua para beber.

Las cosas que hacen que el sistema de tratamiento de agua para beber sea diferente, son las mismas que hacen que sea mejor

Al igual que otros equipos Kinético, la estación de tratamiento de agua para beber Kinético K5 funciona a demanda, no de manera eléctrica. Con un funcionamiento a demanda, los sistemas Kinético producen agua para beber de alta calidad al tiempo que incrementan al máximo el rendimiento y la eficiencia del agua.

Enjuague EverClean®

Después de apagarse, el sistema inicia la función de enjuague EverClean, que es una función patentada y exclusiva de Kinético. La superficie de la membrana se limpia automáticamente con agua limpia y procesada, y posteriormente se baña en esta misma agua limpia. Enseguida el sistema despresuriza la membrana. Estas funciones prolongan la vida útil de la membrana, le permiten mantener un rendimiento de alto nivel y evitan que los contaminantes inorgánicos alcancen el agua tratada al apagar el sistema.



Filtro MACguard®

Una de las funciones más exclusivas del sistema es el apagado automático del filtro MACguard. (El acrónimo "MAC" significa Metered Automatic Cartridge o cartucho automático dosificado.) Después de haber procesado 500 galones (1895 litros) a través del filtro MACguard, éste se apaga (no permite el flujo ni un chorro fino) para alertarle que el filtro se ha agotado. No se puede restablecer el filtro y no se puede extraer más agua del sistema. Esta es la señal de que deben cambiarse los cartuchos del prefiltro y del postfiltro; pero aun de mayor importancia, evita que utilice los cartuchos más allá de su capacidad nominal. Si se usan de manera excesiva, los cartuchos pierden su capacidad de filtración.

Indicador de vida útil del filtro PureMometer®

Su sistema viene equipado con un indicador de vida útil del filtro PureMometer para que pueda saber cuánta capacidad de funcionamiento le queda a sus cartuchos de filtro. Utilice el PureMometer para prever cuándo debe comprar los cartuchos de repuesto del prefiltro y del postfiltro para que no se lleve una sorpresa cuando el filtro MACguard a prueba de fallas apague el sistema.

Accesorios del sistema

Su sistema también podría incluir las actualizaciones siguientes, disponibles con su distribuidor de Kinetico.

Grifos sin plomo, con acabado decorativo

Elija los grifos decorativos altamente elegantes que complementan la decoración de su hogar. Disponibles en acabado cromado clásico (estándar), níquel brillante, níquel/acero inoxidable satinados, Bronce bruñido con aceite, latón pulido, color bizcocho claro, blanco ártico y regalaz negro.

Tanque de almacenamiento extra grande

Un tanque extra grande suministra más agua a demanda para familias más numerosas. No hay necesidad de agregar nada especial al sistema. Simplemente disfrute su agua limpia y clara de Kinetico.

Mantenimiento del sistema de tratamiento de agua para beber

La estación de tratamiento de agua para beber Kinetico K5 ha sido diseñada para que se olvide de las conjeturas acerca de la calidad del agua. Le avisará cuándo deben realizarse las tareas de mantenimiento de rutina para mantener su sistema de tratamiento de agua para beber funcionando sin problemas.

Cambios de filtro

Si abre el grifo y no sale nada de agua o sólo sale un chorro fino, podría deberse una de las dos causas siguientes: su tanque de almacenamiento está vacío y el sistema de tratamiento de agua para beber está produciendo más, o el filtro MACguard se ha apagado. Revise el PureMometer del sistema para verificar si el filtro MACguard está apagado. La verificación periódica del PureMometer puede alertarle si el filtro está a punto de apagarse antes de que suceda. Si el filtro MACguard no está apagado, espere una o dos horas y luego abra nuevamente el grifo para ver si sale agua.

El tiempo que dura el cartucho del filtro MACguard depende de la cantidad de agua para beber que utilice. Puede durar unos pocos meses hasta algunos años. Una familia promedio de cuatro integrantes con un consumo medio de agua para beber puede prever que el cartucho dure nueve meses a un año aproximadamente. Kinetico recomienda que reemplace el cartucho cada año, aun si el sistema no se ha apagado.

Cuando se apaga el filtro MACguard, recomendamos que llame a su distribuidor autorizado de Kinetico. Ellos cambiarán sus cartuchos, desinfectarán completamente su sistema, verificarán el agua y se cerciorarán de que su sistema está funcionando adecuadamente. Si elige instalar los nuevos cartuchos usted mismo, siga cuidadosamente las instrucciones. Nunca intente retirar los cartuchos del prefiltro o del postfiltro sin despresurizar primero el sistema. Cerciórese de desinfectar completamente el sistema siguiendo las instrucciones provistas en la sección “Procedimiento de desinfección” de este manual del usuario para evitar la contaminación debido al contacto humano.

Apagado del sistema

Si llegara a descubrir un problema en el sistema de tratamiento de agua para beber, cierre la llave de suministro de agua al sistema. Enseguida llame a su distribuidor autorizado de Kinetic para que le dé servicio.

NOTA: Para garantizar un rendimiento adecuado del sistema se deben seguir las instrucciones de funcionamiento, mantenimiento y reemplazo de la estación de tratamiento de agua para beber Kinetic K5. El sistema de ósmosis inversa contiene un componente reemplazable de importancia fundamental para la eficiencia del sistema. Cualquier componente de ósmosis inversa de reemplazo debe ser idéntico al que se enumera aquí para garantizar la misma eficiencia y rendimiento de reducción de contaminantes. La dureza recomendada es de cero a 10 granos por galón para obtener una vida útil prolongada del producto. No lo use en donde el agua es insegura desde el punto de vista microbiológico o en agua cuya calidad se desconoce. Los sistemas que aseguran reducir los quistes pueden usarse en agua desinfectada que contenga quistes filtrables. Es posible que desee drenar el tanque de almacenamiento de agua para beber al volver a poner en funcionamiento el sistema, para garantizar que cuenta con el agua más limpia.

Equipo para nitrato/nitrito

Si compró el sistema específicamente para reducir el contenido de nitrato, Kinetic recomienda probarlo regularmente (cada trimestre) con un equipo de pruebas de nitrato/nitrito (Parte No. 7329) para garantizar que se han reducido los nitratos/nitritos hasta un nivel aceptable.

Cambios de cartuchos y desinfección

Si elige cambiar los cartuchos de su estación de tratamiento de agua para beber Kinetic K5 usted mismo, debe utilizar un equipo de desinfección que está disponible con su distribuidor de Kinetic. Siga las instrucciones para desinfectar completamente el sistema. Lávese meticulosamente las manos y no toque ninguna de las piezas internas del sistema. O bien, llame a su distribuidor autorizado de Kinetic para que cambie todos los filtros necesarios, desinfecte su sistema y analice el agua para asegurarse de que sea de la mejor calidad.

NOTA: Aunque se toman todos los cuidados necesarios para proveer una unidad de tratamiento de agua para beber desinfectada, puede ocurrir una contaminación como resultado de los productos adicionales del proveedor, el ensamblado, empaquetado, envío o debido a un tiempo de almacenamiento prolongado. Se requiere realizar una desinfección adecuada.

IMPORTANTE: No beba agua del sistema mientras se está desinfectando.

ADVERTENCIA: Para evitar posibles lesiones y daños a la propiedad, este sistema debe despresurizarse adecuadamente antes de intentar retirar cualquier cartucho u otro componente.

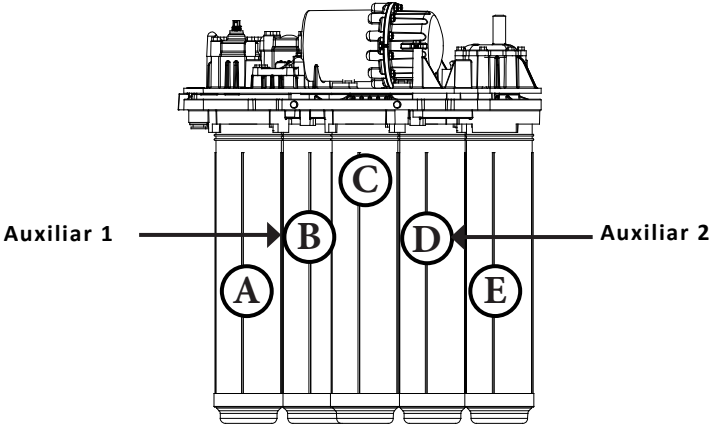
ADVERTENCIA: Después de terminar el procedimiento de desinfección, debe llenarse y vaciarse el tanque dos veces antes de consumir el agua.

ADVERTENCIA: Durante el proceso de desinfección deben usarse anteojos de seguridad y guantes de látex o caucho.

Cartuchos de filtro de repuesto

Para garantizar un rendimiento óptimo, una cobertura continua de la garantía y de que su sistema continúa cumpliendo con las normas de NSF/ANSI, debe reemplazar los cartuchos del prefiltro y del postfiltro una vez al año o cuando se apague el sistema, lo que ocurra primero. Utilice el cuadro siguiente para determinar cuáles son los filtros adecuados para su sistema.

Posición	Cartridge Part Number
Prefiltro (A)	Prefiltro de sedimento (alimentación no clorada) – Parte número 9309A
	Prefiltro de carbón/sedimento (alimentación clorada) – Parte número 9461A
Auxiliar #1 (B)	Protección contra bacterias y virus Purefecta – Parte número 12873
	Protección contra COV – Parte número 12778
	Protección contra arsénico – Parte número 11781A
	Protección contra perclorato – Parte número 11682
	Protección contra cloramina – Parte número 13766
Mineral Plus – Parte número 13041	
Membrana de ósmosis inversa (C)	Parte número 12752A
Auxiliar #2 (D)	Protección contra bacterias y virus Purefecta – Parte número 12873
	Protección contra COV – Parte número 12778
	Protección contra arsénico – Parte número 11781A
	Protección contra perclorato – Parte número 11682
	Protección contra cloramina – Parte número 13766
Mineral Plus – Parte número 13041	
Postfiltro MACguard (E)	Postfiltro de sabor y olor – 9306B



Especificaciones del sistema

Nivel máximo de sólidos totales disueltos	<3000 ppm*
Límites de pH	3-11
Límites de presión	35-120 psi (2.41-8.27 bares), 40 psi (2.76 bares) mínimo para reducción de nitrato
Límites de temperatura	35°-100°F (2°-38°C)
Suministro de agua	dureza de 0-10 granos por galón, hierro 0 - 0.1
Capacidad nominal del filtro (auxiliar y postfiltro)	500 galones (1895 litros)
Tasa de producción máxima diaria	75 gpd (283 lpd)
Proporción de agua de descarga de la membrana/ agua del producto	1 a 1
Proporción de agua de descarga/agua del producto	3 a 1
Tasa de producción de agua típica del producto	50.1 gpd (193 lpd)
Clasificación de eficiencia	20.7%
Clasificación de recuperación	38.8%

*Nota: Los niveles de sólidos totales disueltos de más de 1,500 mg/l deben tener una presión mayor de 50 psi.



Sometido a pruebas y certificado por WQA de acuerdo con las normas de NSF/ANSI 42, 53 y 58 de reducción de las afirmaciones especificadas en la Hoja de Datos de Rendimiento. Cumple con los requisitos de la norma B483.1 de la CSA – Sistemas de Tratamiento de Agua para Beber (consulte la Hoja de Datos de Rendimiento para conocer los contaminantes individuales y la disminución del rendimiento).

No lo use para agua que no es segura desde el punto de vista microbiológico, o si se desconoce la calidad, sin un sistema de desinfección adecuado instalado antes o después de este sistema. Los sistemas certificados para reducción de quistes pueden usarse para agua desinfectada que pudiera contener quistes filtrables.

La estación de tratamiento de agua para beber Kinetic K5 se acepta para el tratamiento de concentraciones afluentes de no más de 27 mg/l de nitrato y 3 mg/l de nitrito en una combinación evaluada como N y se encuentra certificada para reducción de nitrato/nitrito sólo para suministros de agua con una presión de 280 kPa (40 psi) o más.

WQA ha certificado el rendimiento de nuestro producto y ha revisado nuestros procedimientos y la planta de fabricación para garantizar la regularidad e integridad del producto. También se asegura que nuestro material publicado refleje las capacidades de nuestro producto de manera exacta. El sistema y su instalación deben cumplir con las leyes y reglamentos estatales/provinciales y locales.

*El sistema K5 con el cartucho de protección contra virus y bacterias de Purefecta está probado y certificado por la WQA según la norma NSF-P231-Purificadores Microbiológicos de Agua, de acuerdo con las recomendaciones establecidas en el Estándar y Protocolo para Purificadores Microbiológicos de Agua de la Guía USEPA (Reporte del Equipo de Trabajo OPP, 1987). El K5 con el cartucho Purefecta no está diseñado para convertir agua de desecho o de alcantarilla en agua potable.

Cumple con los requisitos de la norma 58 de NSF/ANSI para la reducción de arsénico pentavalente. Consulte la explicación acerca de la disminución del desempeño en la hoja de datos de rendimiento y en la sección correspondiente a la información sobre el arsénico. Los cartuchos que se enumeran a continuación no cuentan con la certificación de NSF o WQA: protección contra arsénico, perclorato, cloramina y Mineral Plus.

Este sistema ha sido sometido a pruebas para el tratamiento de agua que contiene arsénico pentavalente (conocido también como As(V), As(+5), o arseniato) a concentraciones de 0.30 mg/L o menos. Este sistema disminuye el arsénico pentavalente, pero es posible que no elimine otras formas de arsénico. Este sistema debe utilizarse en suministros de agua que contengan una cantidad libre residual de cloro capaz de ser detectada, o en suministros de agua en los cuales se ha demostrado que sólo contienen arsénico pentavalente. El tratamiento con cloramina (cloro combinado) no es suficiente para garantizar la conversión completa de arsénico trivalente a arsénico pentavalente. Para obtener más información consulte la sección de información sobre el arsénico en la Hoja de Datos de Rendimiento.

Número de patente de los EE.UU. : 8,741,148 B2



© 2014 Kinetico Incorporated

Corporate Headquarters

10845 Kinsman Road

Newbury, Ohio 44065

www.kinetico.com

Part No. 13034H

Réf. n° 13034H

Parte No. 13034H

12/2014